

Compact, rugged and affordable, Safemark's Tribute series affirms that good things come in small packages. Built for today's popular electronic companions, the T 4.0 is designed to easily accommodate tablets, smart phones, 15" laptops and more. Hotels across the globe, cruise ships and others will benefit from Safemark's three decades of experience and precision craftsmanship while guests will appreciate a user-friendly and convenient safe to secure their valuables.

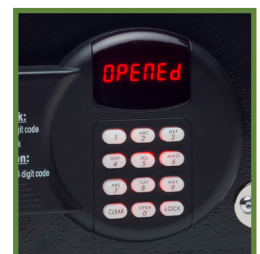
Operationally, the T 4.0 and the industrial strength Emergency Handheld Override (EHO) are easy to learn and simple to operate. A limited 2-year manufacturer's warranty and standard Cobra™ fail-safe override key system round out this exceptional product.



AVAILABLE IN BLACK OR CUSTOM COLOURS



OPTIONAL PEDESTAL



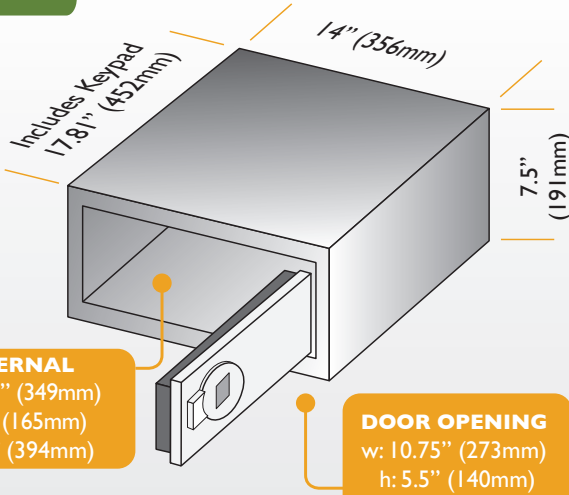
ILLUMINATED KEYPAD

## FEATURES:

- 4 Digit User Code
- Illuminated ADA-Compliant Keypad
- Enhanced LED Display
- Audio Visual Operating Signals
- 240 Event Audit Trail
- Low Battery Indicator
- Quick-Access Battery Panel
- Self-Diagnostic System
- Raised Floor for Easy-Access
- Internal Light

\*Safemark's forced entry warranty does not apply to the T 4.0

## DIMENSIONS



\* **WEIGHT: 26.6 lbs (12.1 kg)**

## CONSTRUCTION:

- Cold-Rolled Steel Door
- 13 Gauge Steel Body
- Two  $\frac{3}{4}$ " (19mm) Diameter Steel Locking Bolts
- 4 AA Alkaline Batteries
- Standard Finish: Black (Custom Colours Available with Upcharge)
- Cobra™ Key Override System

## MODEL SPECIFIC OPTIONS:

- 13.5" (343mm) Pedestal
- Left/Right Hinging

## 240 EVENT AUDIT TRAIL:

*Audit retains the following information:*

- Time/Date of Lockout
- Full Identity (Full Name) of Authorized Staff Members Who Have Opened a Locked Safe
- Time/Date of Countdowns
- Time/Date of Cobra™ Key Openings
- Time/Date of Battery Replacement



Cobra™ Key  
Override System



Emergency Handheld  
Override (EHO)

### SAFE AUDIT REPORT

Hotel Operation  
Property: The Venetian

Room No.: 1905

Printing Time: 01-23-2013 22:09:54

Time	Operation Method
01-22-2013 17:00:25	OPENED BY KEY
01-22-2013 17:00:11	OPENED BY Jennifer Ferris
01-22-2013 17:00:01	OPENED BY Josh Lane
01-22-2013 16:59:47	OPENED BY Jenny Pike
01-22-2013 16:59:34	OPENED BY Bob Eamer
01-22-2013 16:59:13	OPENED BY KEY
01-22-2013 16:58:54	OPENED BY John Foley
01-22-2013 16:58:43	OPENED BY Lorraine Wallis
01-22-2013 16:58:32	OPENED BY Bob Eamer



## HEADQUARTERS

2101 Park Center Dr, Suite 125  
Orlando, FL 32835  
(800) 255 8818 x118 Phone  
(407) 299 0044 Phone  
(407) 299 7650 Fax

## INTERNATIONAL

asiapacific@safemark.com  
middleeast@safemark.com  
europe@safemark.com  
africa@safemark.com  
latinamerica@safemark.com  
canada@safemark.com

## ONLINE

www.safemark.com  
sales@safemark.com  
Skype: Safemark